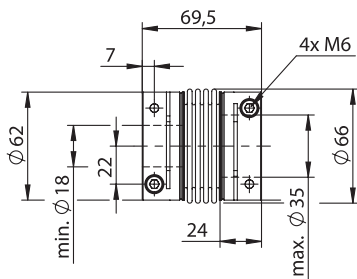
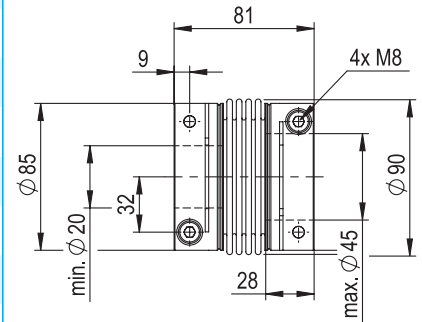


MKJ-S-60

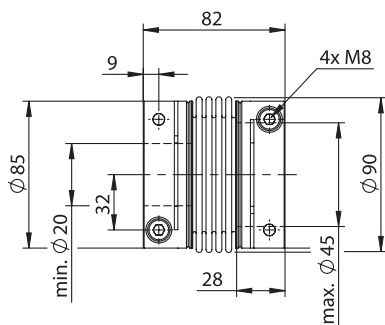


60 [Nm]	Nennmoment Nominal torque	100 [Nm]
47 [10 ³ Nm/rad]	Torsionssteife Torsional stiffness	95 [10 ³ Nm/rad]
790 [N/mm]	Laterale Federsteife Lateral spring stiffness	680 [N/mm]
71.50 [N/mm]	Axiale Federsteife Axial spring stiffness	51 [N/mm]
±0.1 [mm]	Max. lateraler Wellenversatz Max. lateral shaft misalignment	±0.1 [mm]
±0.7 [mm]	Max. axialer Wellenversatz Max. axial shaft misalignment	±0.9 [mm]
±0.8 [Grad] [Degree]	Max. angularer Wellenversatz Max. angular shaft misalignment	±0.8 [Grad] [Degree]
0.58 [10 ⁻³ kgm ²]	Trägheitsmoment Inertia torque	2.40 [10 ⁻³ kgm ²]
1 [kg]	Masse Mass	2.20 [kg]
M6 [DIN 912-12.9]	Klemmschrauben Clamping screws	M8 [DIN 912-12.9]
14 M _A [Nm]	Anzugsmoment der Schrauben Tightening torque of screws	35 M _A [Nm]

MKJ-S-100

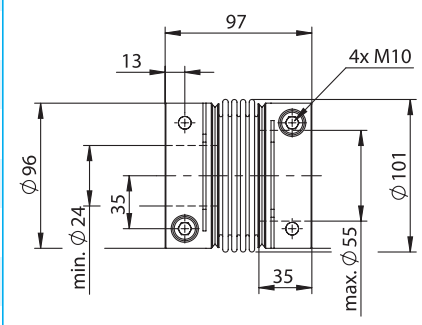


MKJ-S-150

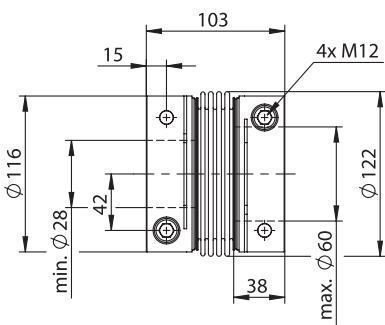


150 [Nm]	Nennmoment Nominal torque	200 [Nm]
110 [10 ³ Nm/rad]	Torsionssteife Torsional stiffness	160 [10 ³ Nm/rad]
110 [N/mm]	Laterale Federsteife Lateral spring stiffness	1500 [N/mm]
135 [N/mm]	Axiale Federsteife Axial spring stiffness	115 [N/mm]
±0.1 [mm]	Max. lateraler Wellenversatz Max. lateral shaft misalignment	±0.1 [mm]
±0.9 [mm]	Max. axialer Wellenversatz Max. axial shaft misalignment	±0.9 [mm]
±0.7 [Grad] [Degree]	Max. angularer Wellenversatz Max. angular shaft misalignment	±0.7 [Grad] [Degree]
2.40 [10 ⁻³ kgm ²]	Trägheitsmoment Inertia torque	4.70 [10 ⁻³ kgm ²]
2.20 [kg]	Masse Mass	3.40 [kg]
M8 [DIN 912-12.9]	Klemmschrauben Clamping screws	M10 [DIN 912-12.9]
35 M _A [Nm]	Anzugsmoment der Schrauben Tightening torque of screws	69 M _A [Nm]

MKJ-S-200



MKJ-S-350



350 [Nm]	Nennmoment Nominal torque	500 [Nm]
230 [10 ³ Nm/rad]	Torsionssteife Torsional stiffness	280 [10 ³ Nm/rad]
1850 [N/mm]	Laterale Federsteife Lateral spring stiffness	2300 [N/mm]
85 [N/mm]	Axiale Federsteife Axial spring stiffness	115 [N/mm]
±0.1 [mm]	Max. lateraler Wellenversatz Max. lateral shaft misalignment	±0.1 [mm]
±1.0 [mm]	Max. axialer Wellenversatz Max. axial shaft misalignment	±0.9 [mm]
±0.7 [Grad] [Degree]	Max. angularer Wellenversatz Max. angular shaft misalignment	±0.7 [Grad] [Degree]
10.70 [10 ⁻³ kgm ²]	Trägheitsmoment Inertia torque	10.80 [10 ⁻³ kgm ²]
5.30 [kg]	Masse Mass	5.30 [kg]
M12 [DIN 912-12.9]	Klemmschrauben Clamping screws	M12 [DIN 912-12.9]
120 M _A [Nm]	Anzugsmoment der Schrauben Tightening torque of screws	120 M _A [Nm]

MKJ-S-500

